

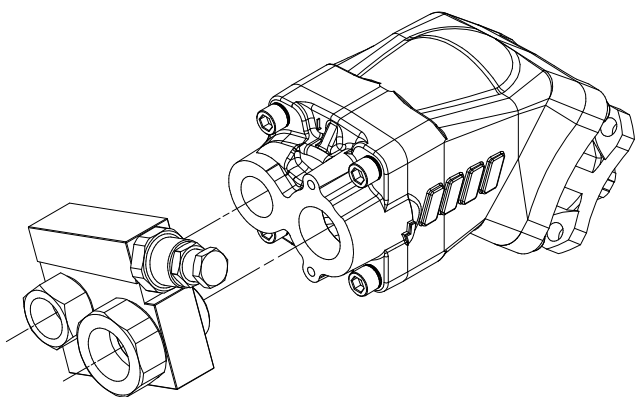
# RELIEF VALVE ASSEMBLY FOR BENT AXIS PISTON PUMPS

OMFB is proud to introduce a new relief valve assembly for bent axis piston pumps.



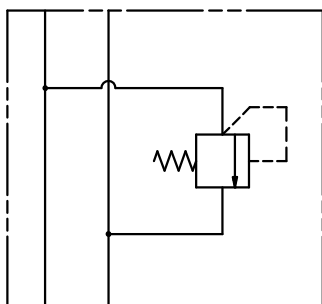
This valve can be directly fitted on the rear cover of the pump in such a way that the return flow goes back to tank through the pump itself saving one hose.

The valve protects the pump from peak pressure due to any wrong operations such as closed circuit or **coupling not connected**.



The fitment of the relief valve assembly onto the pump is **symmetric**, thus it is possible to **rotate it by 180°** just to avoid any interferences.

## Hydraulic schematic



For pump	Code	Ports	
		IN	OUT
HDS 47 HDS 55 HDS 64 MDS 80	108-205-00479	G 1 1/4	G 3/4
HDS 84	108-205-00844	G 1 1/4	G 1
HDS 108 MDS 130	108-205-01085	G 1 1/2	G 1